

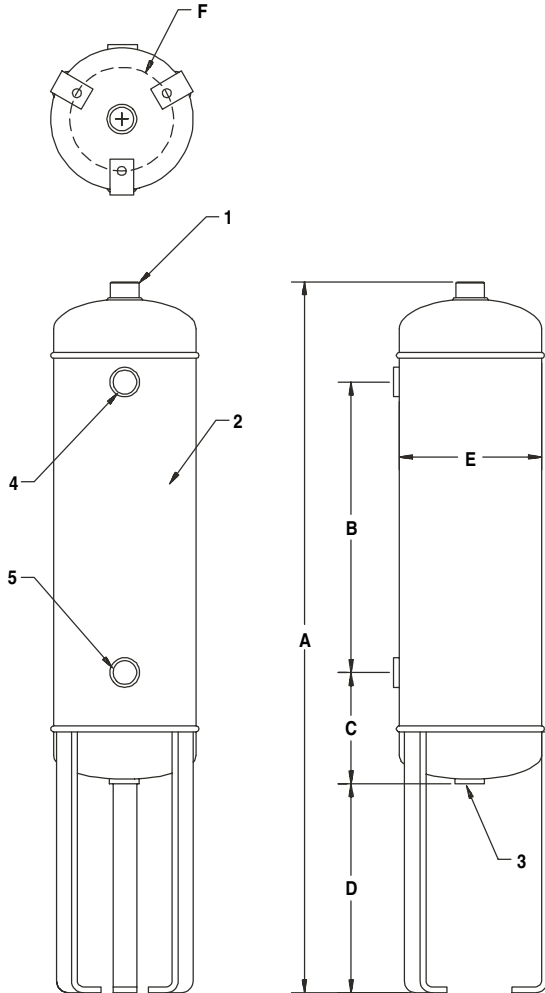
# J.L. WINGERT CO.

P.O. Box 6207 • Garden Grove, CA 92846-6207 / 11800 Monarch Street • Garden Grove, CA 92841-2113  
 Phone (714) 379-5519 • Fax (714) 379-5549 ■ Southwest Region • Phone (602) 470-1015  
 30998 Huntwood Avenue, Unit 105 • Hayward, CA 94544-7033 • Phone (510) 487-5310 • Fax (510) 487-5137  
 On the Internet: [www.jlwingert.com](http://www.jlwingert.com) • Email: [customerservice@jlwingert.com](mailto:customerservice@jlwingert.com)

MANUFACTURING: Mixers, Bypass Feeders, Filter Feeders, Bromine Feeders, Sample Coolers, Sludge Traps, Separators, Separator Systems, Tank Stands,  
 Tank Package Systems, Glycol Feed Systems, Coupon Racks, Control Stations, NEMA Enclosures, Custom Packaged Systems and Specialty Welding

Specification Sheet #032003 Rev. "F" (12/99)

## HIGH PRESSURE BYPASS FEEDERS



### MATERIALS AND SPECIFICATIONS:

KEY	SPECIFICATIONS
1	FILL: 1" FNPT
2	BODY: Carbon steel
3	DRAIN: 3/4" FNPT
4	OUTLET: 3/4" FNPT
5	INLET: 3/4" FNPT
MAX. PRESSURE	300 PSI (20.7 BAR)
MAX. TEMPERATURE	200° F (93° C)

### VOLUME (FILL CAPACITY)

MODEL	GALLONS	LITERS
HP-1	1.19	4.52
HP-2-LEG	2.39	9.04
HP-5-LEG	6.30	23.85
HP-12-LEG	13.28	50.27

### DIMENSIONS, WEIGHT & CUBE:

KEY	HP-1	HP-2-LEG	HP-5-LEG	HP-12-LEG
A	12 3/16"	30 3/8"	30 3/4"	51 1/4"
B	3 1/2"	12 1/2"	10 3/4"	31"
C	4"	4 3/4"	6 1/2"	6 1/2"
D	N/A	8 3/4"	7 3/4"	7 3/4"
E	6"	6"	10"	10"
F	N/A	4"	8"	8"
WEIGHT	8 lbs. (3.6 kgs.)	16 lbs. (7.3 kgs.)	31 lbs. (14.1 kgs.)	56 lbs. (25.4 kgs.)
CUBE	6" X 6" X 12"	6" X 6" X 32"	10" X 10" X 32"	10" X 10" X 52"

Note: All dimensions are +/- 1/8". All weights are approximate. All dimensions are subject to change without notice.